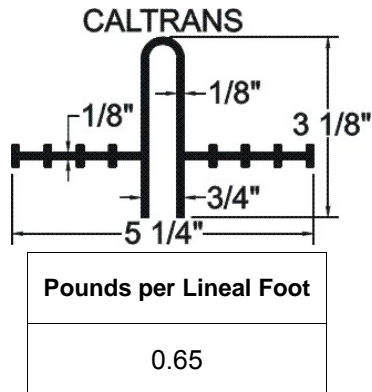


**TPER PRODUCT DATA SHEET  
TCTW 1-2**



TPER Waterstop is manufactured from a specially formulated Thermoplastic Vulcanizate Rubber. This product has excellent physical properties and chemical resistance and will assure an owner of a facility that require containment for environmentally sensitive materials.

**WHERE TO USE TEAR WEB WATERSTOP**

Use where large movement is anticipated. Tear Web keeps concrete from entering the bulb throughout concrete placement. When joint movement occurs, the web ruptures allowing sizeable mechanical deformation of the bulb without stressing the material.

<i><b>PHYSICAL PROPERTIES OF TPER WATERSTOP</b></i>		
<b>Typical Properties</b>	<b>Nominal Value</b>	<b>ASTM</b>
Hardness Shore A, ±3	90	D-2240
Specific Gravity	0.96	D-792
Tensile Strength, psi (MPa)	2300 (15.9)	D-412
Elongation, %	530	D-412
Brittle Point, °F (°C)	-65 (-54)	D-746
Stress @ 100% Elongation, psi (MPa)	1000 (6.9)	D-638
Ozone Resistance	Passed with no cracking at 500 pphm	D-1171

**INSTALLATION**

**Preparation**

During progress of work all waterstop shall be protected from damage and should be free of oil, dirt and concrete spatter. Waterstop coils should be uncoiled several days before installation to insure ease of installation and fabrication. Be sure steel reinforcing bars do not interfere with proper positioning of waterstop.

**Placement**

The location and embedment of the waterstop shall be as shown on the drawings, with approximately one-half of the width of the waterstop embedded in the concrete on each side of the joint. All waterstops shall be sufficiently held in place to insure that they are correctly positioned to form a continuous watertight diaphragm in the joint unless otherwise shown. The method used to fasten the waterstop may be as follows:

- extending through a slot in the keyway
- held in place by split bulkheads
- hog ring and wire tie to reinforcing bars every 12 inches. Always secure hog ring or wire between the last rib and the end of the waterstop. Hog ring shall not penetrate the waterstop.

Care should be taken during concrete placement on horizontal sections to prevent excessive movement of the waterstop to insure against displacement. Always thoroughly and systematically vibrate concrete around the waterstop to avoid air entrapment and to provide a positive contact between the waterstop and the concrete. On the second pour, sweep horizontal joints to insure there is no foreign matter to interfere with positive contact between the waterstop and the concrete.

**Splicing**

Waterstops may need splicing at intersections, abrupt changes of direction, or to form longer lengths. Field splicing of straight butt joints is fairly simple. Mitered fittings such as ells, tees and crosses in both flat and vertical styles, are harder to splice correctly. We recommend that these types of fittings be factory fabricated. Please contact us for more details.

141 Hammond Street  
Carrollton, GA 30117

Phone 770-832-2000 ■ 800-862-4835 ■ FAX 770-832-2095  
Visit our website @[www.bometals.com](http://www.bometals.com)  
Address email to [info@bometals.com](mailto:info@bometals.com)

*Founded in 1989, BoMetals has become an industry leader in the design and manufacture of concrete and masonry accessories.*