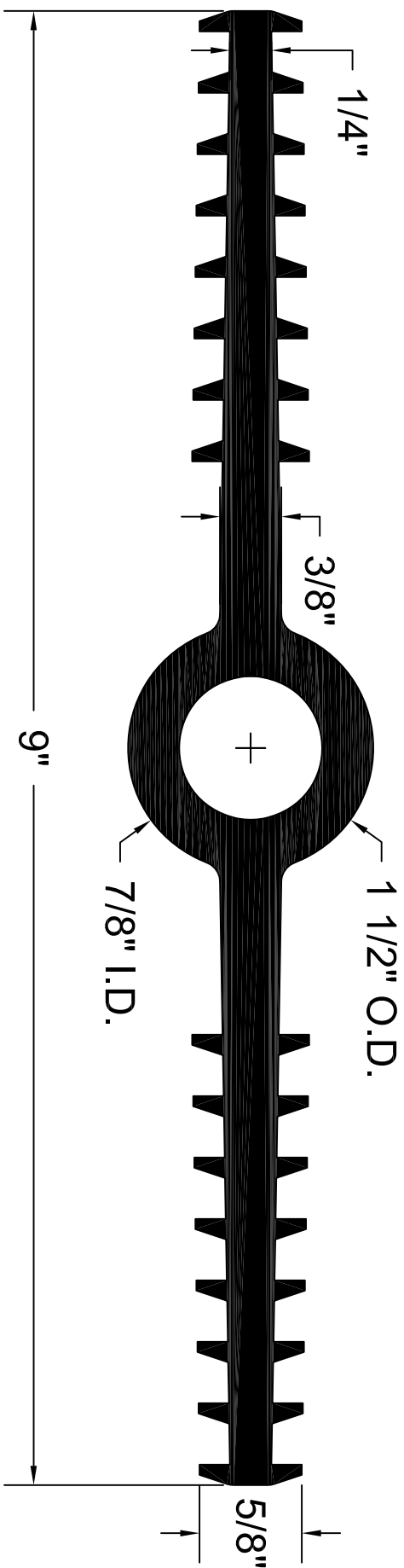



TCB-938BR



ALL DIMENSIONS ARE IN INCHES

  
 concrete and masonry accessories  
 141 Hammond Street ~ Carrollton, Ga 30117 ~ 800-862-4835 ~ www.bowmetals.com ~ info@bowmetals.com

9" X 3/8" RIBBED CENTER BULB  
 BUREAU OF RECLAMATION  
**WATERSTOP PROFILE**

PRODUCT CODE: TCB-938BR	CUSTOMER: N/A	DRAWN & REVIEWED BY: B. COPELAND	FILE NAME: PlasticTPER Waterstop	SHEET 1 OF 1
SCALE: NTS	JOB NUMBER: N/A	DATE LAST REVIEWED: July 25, 2012	TCB-938BR.dwg	