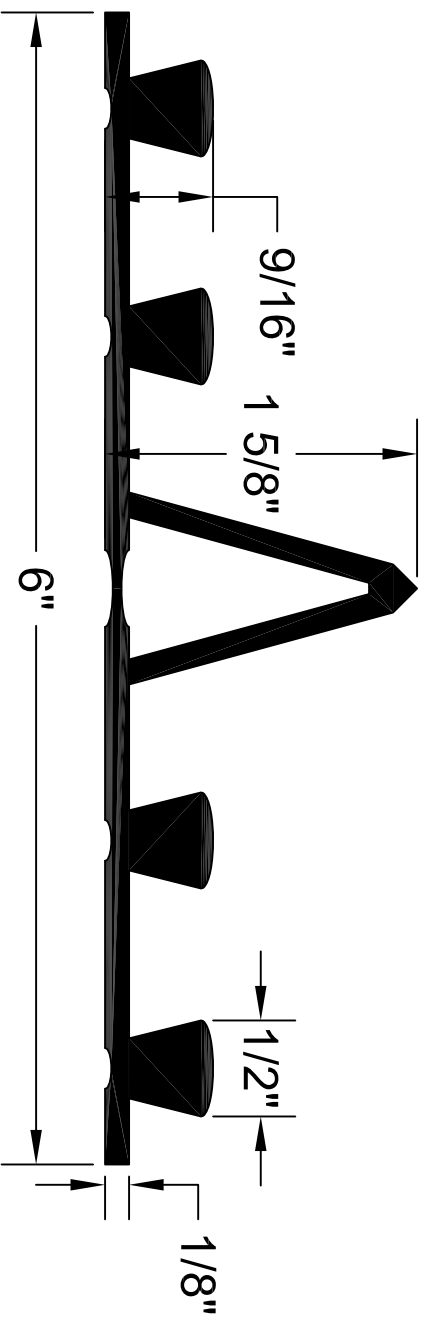


TBS-618CI



ALL DIMENSIONS ARE IN INCHES

WATERSTOP PROFILE

141 Hammond Street ~ Carrollton, Ga 30117 ~ 800-862-4835 ~ www.bowmetals.com ~ info@bowmetals.com

BowMetals, inc.
concrete and masonry accessories

6" X 1/8" BASE SEAL CRACK INDUCER

PRODUCT CODE: TBS-618CI	CUSTOMER: N/A	DRAWN & REVIEWED BY: B. COPELAND	FILE NAME: (Plastic)TPER Waterstop	SHEET 1 OF 1
SCALE: NTS	JOB NUMBER: N/A	DATE LAST REVIEWED: July 25, 2012	TBS-618CI.dwg	