

# ADEKA P-201

CORPORATION

Manufactured by Adeka Corporation  
Tokyo, Japan

Supplied by: **BoMetals, inc.**  
concrete and masonry accessories

800-862-4835  
www.bometals.com

## PRODUCT DESCRIPTION:

Single component hydrophilic grey paste

## PACKAGING INFORMATION:

24 Cartridges per case

320 ml (10.8 oz) per cartridge

## EXPANSION INFORMATION BY VOLUME:

Approximately 100% (2 times by volume)

## HYDROPHILIC WATERSTOP IN A CARTRIDGE

One of the most versatile Adeka products

## GENERAL DESCRIPTION

ADEKA ULTRASEAL® P-201 is a water-swelling, single component, elastic sealant. P-201 is packaged in 320 ml (10.8 oz) cartridges or in 3.17 gallon bulk pails.

### WATERSTOP FOR:

- \* Cold/construction/control joints
- \* Expanded metal forms
- \* Piping penetrations
- \* Crack / joint repair
- \* Sheet pile interlock sealant
- \* Precast segment sealant
- Utility vaults
- Manholes
- Tunnels
- Riser rings



P-201 is used as a waterstop in new construction and in repair applications. It can be placed on damp or uneven surfaces and functions in a wide range of temperatures and ground water conditions water.

## TYPICAL USES:

P-201 will expand up to 2 times (100%) **by volume** in the presence of water. It will expand in the direction of least resistance. When expansion is inhibited, the product will produce expansion pressure against the resisting substance. This expansion pressure will effectively seal off water penetration. The amount of concrete coverage required depends on bead size. The coverage may range from 2" (¼" bead) to 4" inside a double mat of rebar (½" bead). Bead size also determines hydrostatic head resistance

P-201 (3/16x3/4)	50 ft	21.8	0.15
P-201 (3/8 x3/4)	150 ft	72.5	0.50

## STANDALONE WATERSTOP

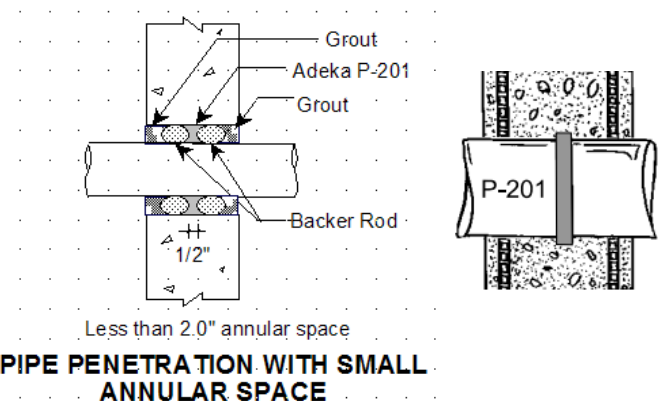
Use in below grade cast-in-place concrete joints. P-201 can replace conventional waterstop in non-moving joints.

CAVEAT: P-201 must cure before placing second concrete. Curing time varies by bead size, temperature and humidity. Place concrete without displacing or deforming the bead of P-201.



## PIPE PENETRATIONS

ADEKA ULTRASEAL® P-201 is an excellent product to seal CIP pipe penetrations or in "block out" pipe penetrations. Check [www.adeka.com](http://www.adeka.com) for details concerning annular spaces greater than 2".



## EXPANDED METAL WATERSTOP

Use to waterproof expanded metal (stay in place) forms. Allow curing time before placing second concrete.



Stay in place expanded metal forms

## PRECAST SEGMENTS

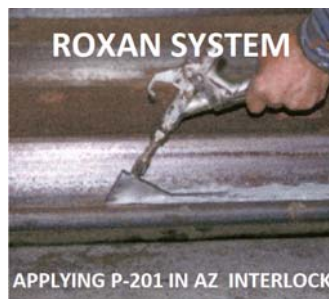
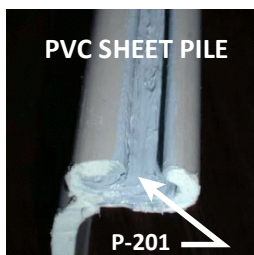
Excellent product to seal joints between precast segments. Use on box culverts, manhole, utility vaults, riser rings and many other precast units. Apply bead of P-201 and place second segment before P-201 cures.



Precast Box Culverts

## SEALING SHEET PILE INTERLOCKS

Use P-201 to seal PVC and AZ sheet pile interlocks. AZ sheet piles are treated with P-201 "Roxan System".



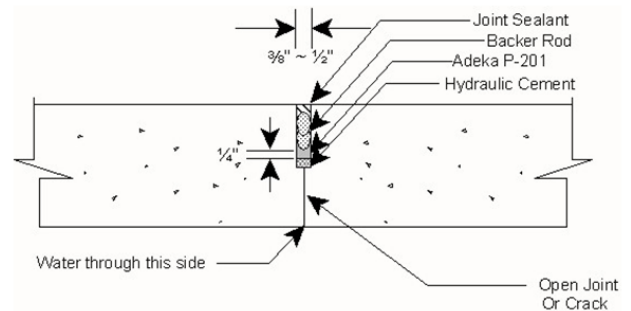
## OTHER USES FOR P-201



Use to fill in rough areas when using Adeka strip products. Apply on PVC waterstop weld seams.



Waterstop H-Piles



Waterstop Open Joints / Cracks

**NOTE:** The information contained herein is based on our present state of knowledge and is intended to provide general notes on Adeka Waterstops and their uses. Any recommendations or suggestions, which may be made, are without guarantee, since the conditions of use are beyond our control. Furthermore, nothing contained in this publication shall be construed as a recommendation for any use that may infringe patent rights. Readers are cautioned to satisfy themselves as to the suitability of such goods for the purposes intended prior to use

VISIT [WWW.ADEKA.COM](http://WWW.ADEKA.COM) FOR MORE INFORMATION OR CALL 800.999.3959