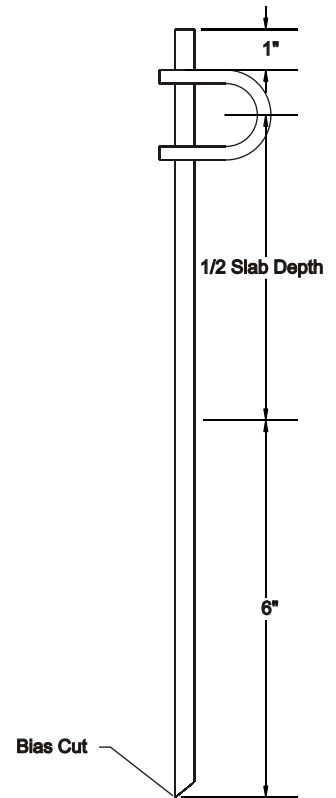
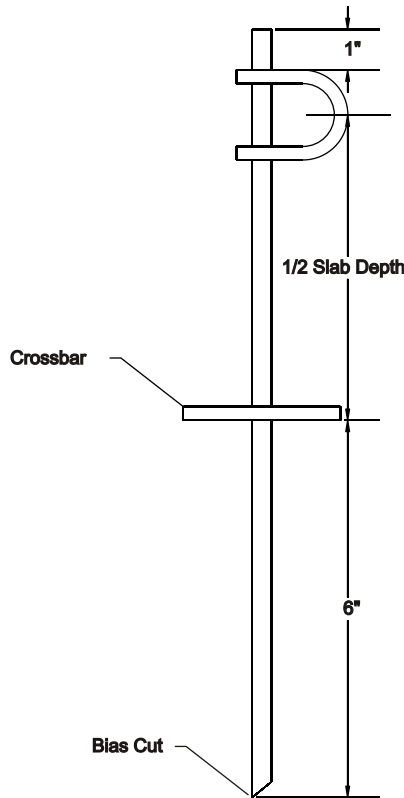
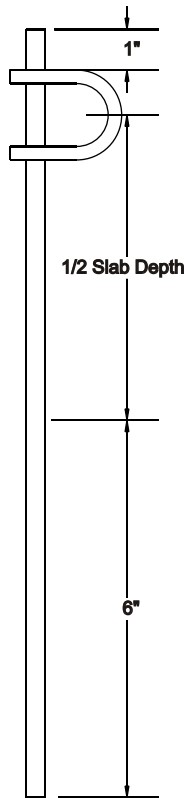


P-STAKES



-Dowel and tie bar support

-Made in USA

-Standard with 0.306" Wire for stem

-With/without crossbar

-With/without bias cut

-0.1875" Wire Dia. for Crossbar and Loop

-Loop = Bar Size + 0.125"

-Standard 1" Stem above Loop

**Call 800-862-4835
for the P-Stake that
best suits your
job!!!**

**Call 800-862-4835
for the P-Stake that
best suits your
job!!!**