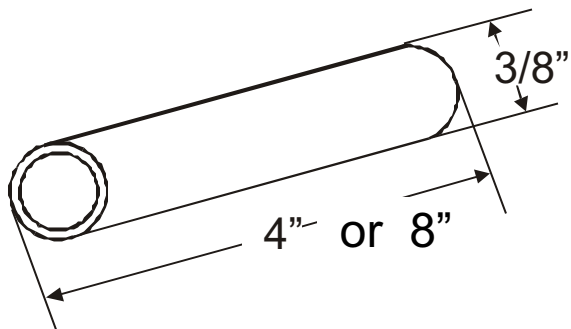


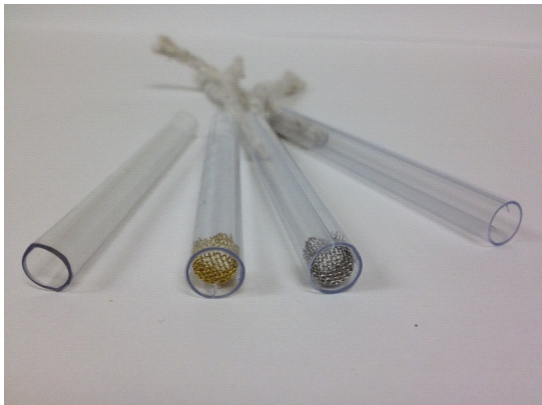
WEEP TUBES

BoMetals, inc. weep tubes shall be placed to insure that they are correctly positioned in the masonry joint to guarantee air movement from the cavity to the outside of the wall. Typical placement would be for the one end of the weep tube to be flush with the outside of the joint and the opposite end to project into the cavity of the wall. Typical locations would be no greater than 24" on center. Care should be taken during mortar placement to prevent excessive movement of the weep tubes to insure against displacement. Always thoroughly and systematically inspect mortar around the weep tubes to make certain that the weep tube is free from obstruction.



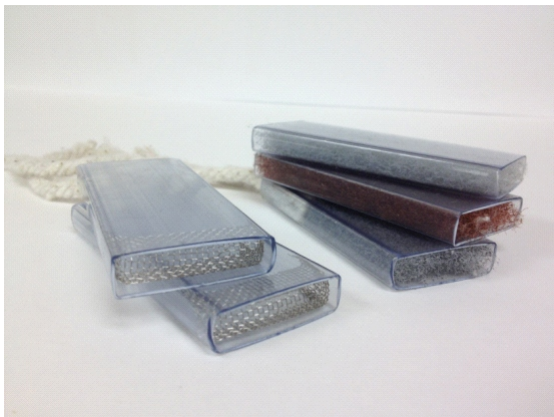
ROUND WEEPS

—Plain (No Screen or Wick)



ROUND WEEPS

—Stainless Steel Screen & Wick
—Stainless Steel Screen Only
—Brass Screen & Wick
—Brass Screen Only
—Wick Only



RECTANGULAR WEEPS

—Screen, Mesh and Wicks available