

Concrete Hoppers & Accessories

ELEPHANT TRUNK

Size	Part #	Weight / roll
8" x 50'	ET-08	44#
12" x 50'	ET-12	65#

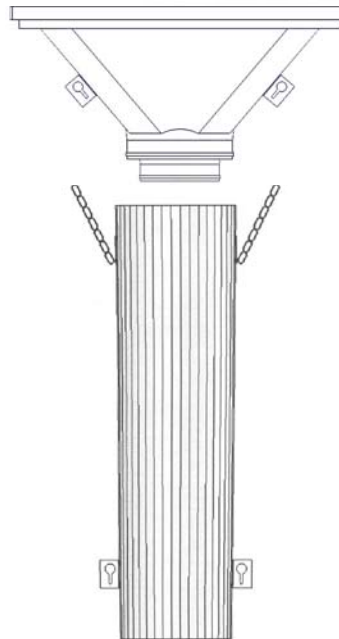


HOPPERS

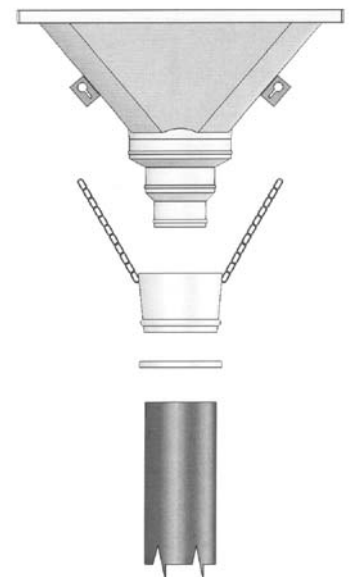
Size	Discharge	Part #	Weight
36" x 36" Standard	6"-8"-12"	HPR-LD	15#
36" x 36" Reinforced	8"-12"	HPR-HD	18#

We supply a Standard, Light Duty, 3-Way Hopper and a Heavy Duty, Steel Reinforced Hopper.

Reinforced, Heavy Duty Hopper 8"/12"



Standard, Light Duty Hopper 6"/8"/12"



TREMIE PIPES

Size	Part #	Weight
8" dia. x 4'	TP-08	9#
12" dia. x 4'	TP-12	11#

They taper from 9" to 8" or from 13" to 12".

METAL COLLARS

Size	Part #	Weight
8"	ETC-08	4#
12"	ETC-12	5#

Supplied with chains to quickly attach and detach Elephant Trunks from the Hopper.

ADJUSTABLE BAND CLAMPS

Size	Part #	Weight
Fits 8"-12" discharge	ETB	1#