

# Vertical Cross "X" Shop Drawing

CUSTOM / MADE TO ORDER / NON-REFUNDABLE

BEFORE PRODUCTION STARTS, we need this returned with ALL info included!

Waterstop Profile \_\_\_\_\_

Quantity Required \_\_\_\_\_

Hog Rings? \_\_\_\_\_ OR Eyelets? \_\_\_\_\_

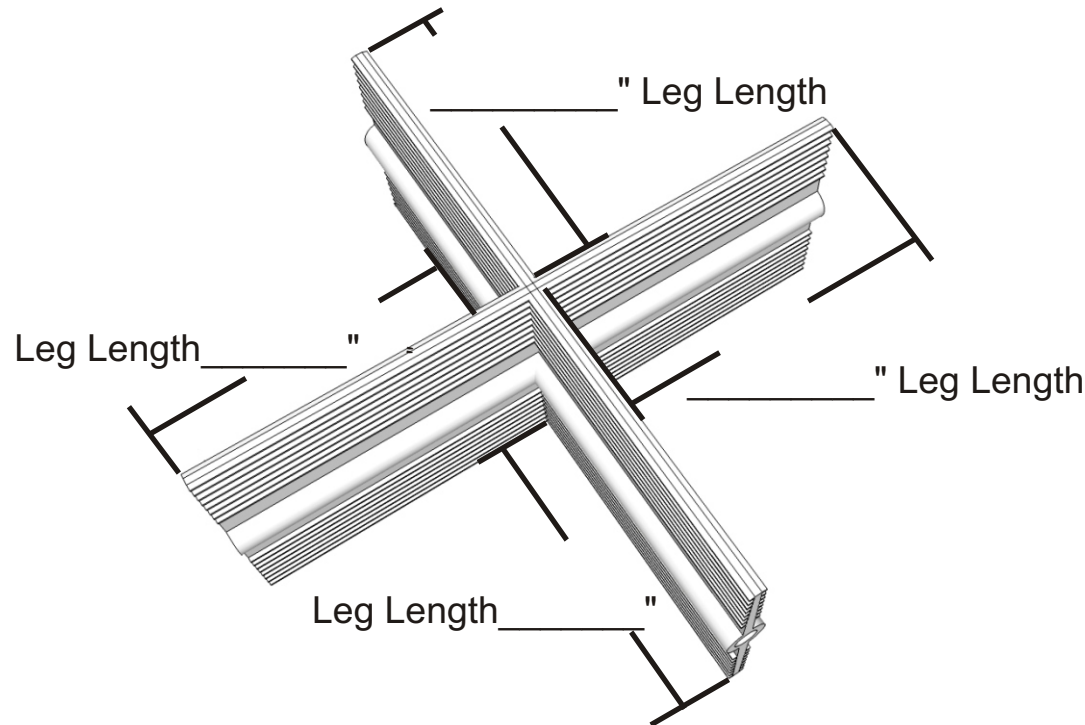
Standard leg length is 12" but these will be made per info below.

Distributor \_\_\_\_\_

Job Name/GC \_\_\_\_\_

Approved By \_\_\_\_\_

Date \_\_\_\_\_



**BoMetals Use ONLY**

Rolls: \_\_\_\_\_ Flats: \_\_\_\_\_ Made By: \_\_\_\_\_ Date: \_\_\_\_\_